



***Certain® PREVAIL® And Certain XP Parallel Walled Implant
Subcrestal Placement Protocol Quick Reference Guide***



**NanoTite™ Certain
Expanded Platform
PREVAIL Implant**

**NanoTite Certain
Straight PREVAIL
Implant**

**OSSEOTITE XP®
Certain Implant**

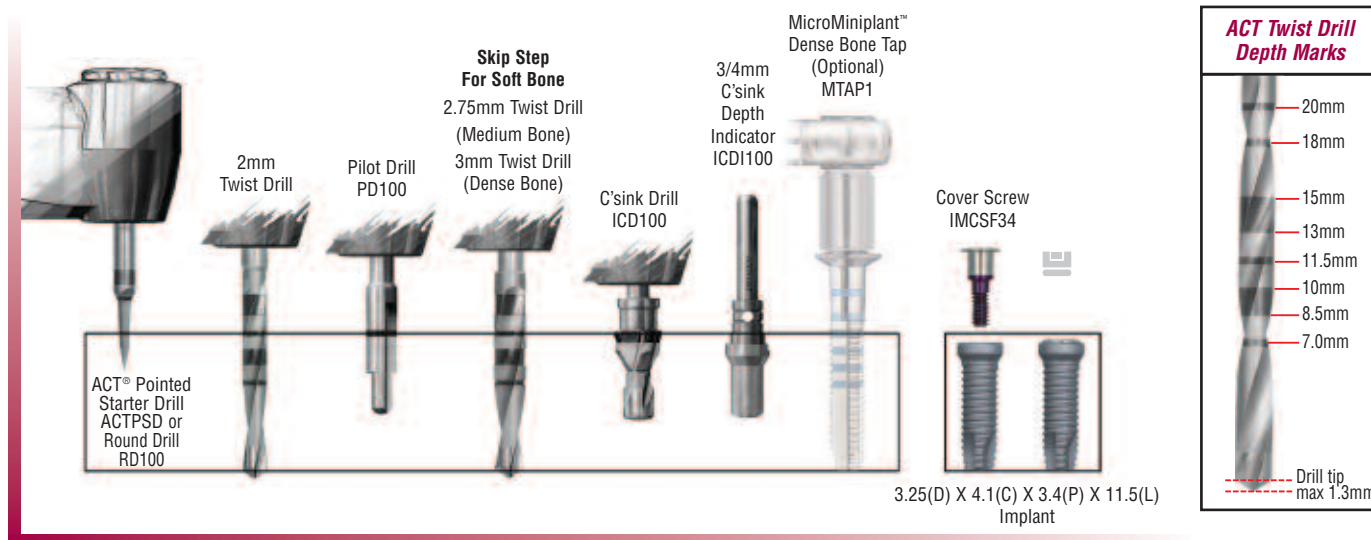
**OSSEOTITE® Certain
PREVAIL Implant**

Certain® PREVAIL® And Certain XP Parallel Walled Implant Subcrestal Placement Protocol Quick Reference Guide

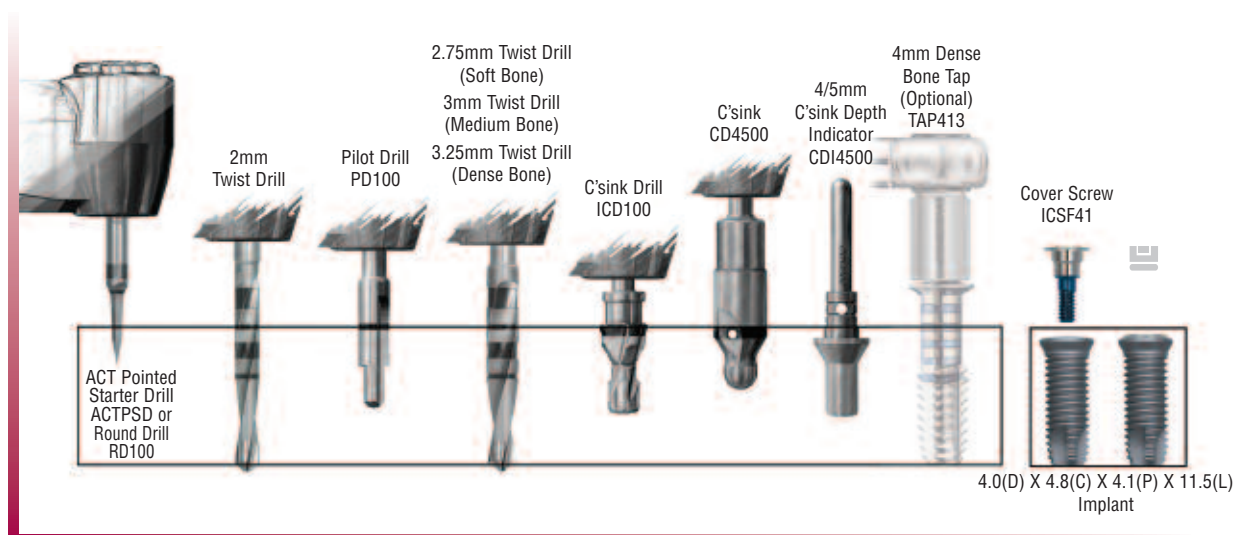
NOTE: This brochure is intended to be used as a quick reference guide only. Please refer to the Surgical Manual (CATSM) for detailed surgical placement protocols and other information.

(D) = Diameter (mm)
 (C) = Collar (mm)
 (P) = Platform (mm)
 (L) = Length (mm)

Certain PREVAIL 3/4/3mm Diameter Implants

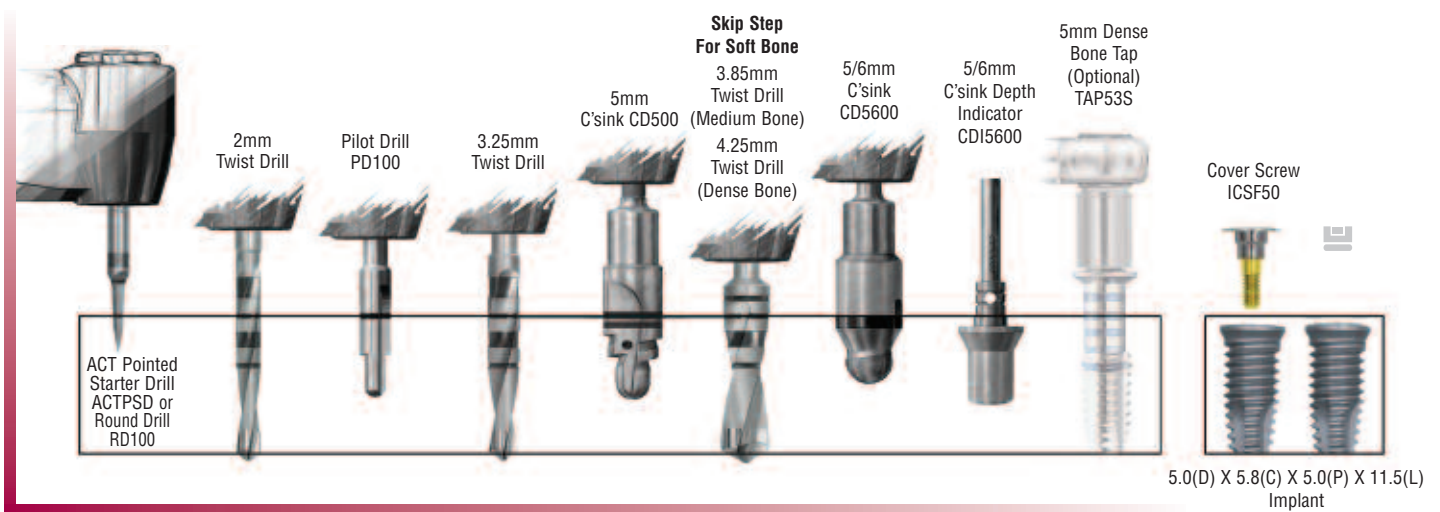


Certain PREVAIL 4/5/4mm And Certain XP 4/5mm Diameter Implants

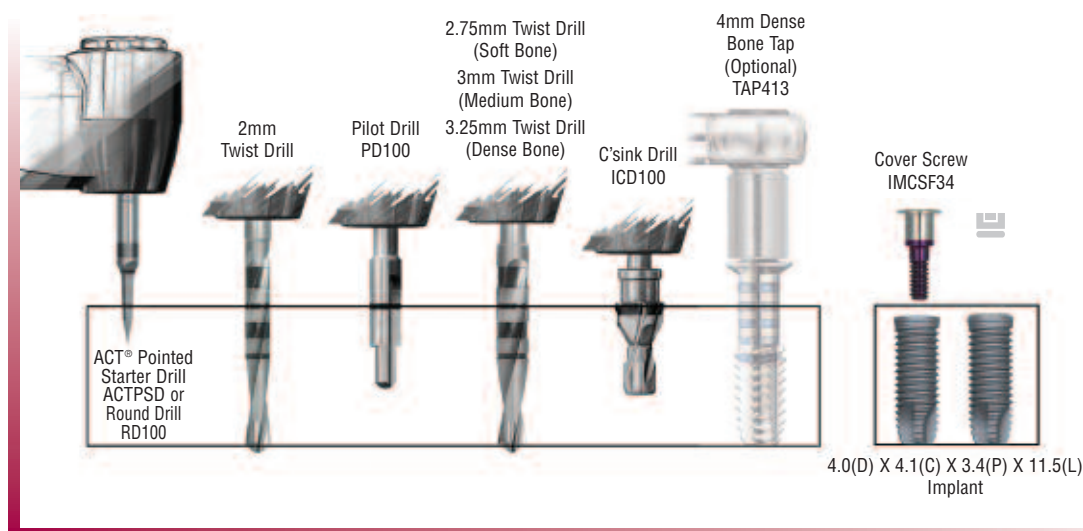


- NOTE:**
- The recommended drill speed for drills 3.85mm diameter or less is 1200–1500rpm
 - The recommended drill speed for drills 4.25mm diameter or greater is 900rpm
 - The recommended implant placement speed is 15–20rpm
 - The implant placement torque may exceed 50Ncm
 - Final Twist Drill selection is based on clinician evaluation of bone quality

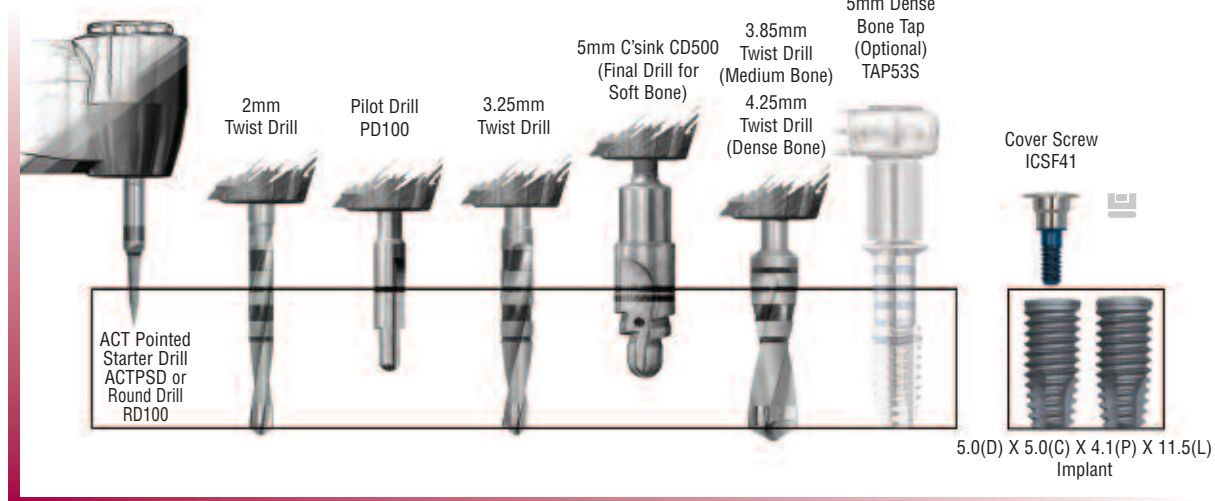
Certain® PREVAIL® 5/6/5mm And Certain XP 5/6mm Diameter Implants



Certain PREVAIL 4/3mm Diameter Implants



Certain PREVAIL 5/4mm Diameter Implants





Global Headquarters
4555 Riverside Drive
Palm Beach Gardens, FL 33410
1-800-342-5454
Outside The U.S.: +1-561-776-6700
Fax: +1-561-776-1272
www.biomet3i.com

**Sign Up For BIOMET 3i's Electronic Newsletter "BIOMET 3innovations."
Simply Go Online To www.biomet3i.com/signup**



ART944
REV D 06/08

ACT, Certain, OSSEOTITE, OSSEOTITE XP and PREVAIL are registered trademarks and MicroMiniplant and NanoTite are trademarks of BIOMET 3i LLC. BIOMET is a registered trademark and BIOMET 3i and design are trademarks of BIOMET, Inc. ©2008 BIOMET 3i LLC. All rights reserved.

SUBSIDIARIES

AUSTRALIA

Phone: +61-2-9855-4444
Fax: +61-2-9888-9900

AUSTRIA

Phone: +43-(0)6235-200-45
Fax: +43-(0)6235-200-45-9

BELGIUM

Phone: +32-2-5410290
Fax: +32-2-5410291

BRAZIL

Phone: +55-11-5081-4405
Fax: +55-11-5081-7484

CANADA

Phone: +514-956-9843
Fax: +514-956-9844

FRANCE

Phone: +33-1-41054343
Fax: +33-1-41054340

GERMANY

Phone: +49-721-255177-10
Fax: +49-721-255177-73

IRELAND

Phone: +353-1-800-552-752
Fax: +44-1628-820182

MEXICO

Phone: +52-55-5679-1619
Fax: +52-55-5684-8098

THE NETHERLANDS

Phone: +31-(0)78-629-2800
Fax: +31-(0)78-629-2801

NEW ZEALAND

Phone: +64-508-122-221
Fax: +64-508-133-331

NORDIC REGION

Phone: +46-40-17-6090
Fax: +46-40-17-6099

PORTUGAL

Phone: +351-21-000-1647
Fax: +351-21-000-1675

SPAIN

Phone: +34-93-470-59-50
Fax: +34-93-372-11-25

SWITZERLAND

Phone: +41-44-380-46-46
Fax: +41-44-383-46 55

TURKEY

Phone: +90-212-573-6916
Fax: +90-212-662-7635

U.K.

Phone: +44-800-652-1233
Fax: +44-1628-820182

DISTRIBUTORS

ARGENTINA

Dentalmax, SA
Phone: +541-1482-71001
Fax: +541-1482-67373

CHILE

Cybel, SA
Phone: +56-2-2321883
Fax: +56-2-2330176

CHINA

Atek Inc.
Phone: +86-21-6329-1265
Fax: +86-21-6329-1620

COLOMBIA

3i Colombia
Phone: +571-612-9362
Fax: +571-620-6412

COSTA RICA

Implantec S.A.
Phone: +506-234-9043
Fax: +506-224-7620

EL SALVADOR

Dentimerc SA de CV
Phone: +503-263-6350
Fax: +503-263-6676

GREECE

Impladent Dental Implants, LLC
Phone: +30-2310-501-651
Fax: +30-2310-522-417

ISRAEL

H.A. Systems
Phone: +972-3-6138777
Fax: +972-3-6138778

HONG KONG

Ositek Inc., Ltd.
Phone: +852-8121-6601
Fax: +852-3747-3754

ITALY

Biomax, srL
Phone: +39-0444-913410
Fax: +39-0444-913695

JAPAN

Implant Innovations Japan
Phone: +81-66-868-3012
Fax: +81-66-868-2444

KOREA

Jungsan 3i Corp.
Phone: +82-2-516-1808
Fax: +82-2-514-9434

LEBANON

3i MENA s.a.l.
Middle East And North Africa
Phone: +961-1-694000
Fax: +961-1-694222

PARAGUAY

Andres H. Arce y Cia SRL
Phone: +595-21-208185
Fax: +595-21-496291

POLAND

Dental Depot
Phone: +48-71-341-3091
Fax: +48-71-343-6560

RUSSIA

Com-Dental
Phone: +7-495-797-6686
Fax: +7-499-242-9567

SINGAPORE

Asia Implant Support & Services
Phone: +65-6223-2229
Fax: +65-6220-3538

SOUTH AFRICA

Selective Surgical CC
Phone: +27-11-991-7007
Fax: +27-11-672-1391

TAIWAN

Kuo Hwa Dental Suppliers Co., Ltd.
Phone: +886-2-2226-1770
Fax: +886-2-2226-8747

THAILAND

3i (Thailand) Co., LTD.
Phone: +662-252-6685
Fax: +662-252-6686

UKRAINE

Com-Dental
Phone: +38-067-7007667
Fax: +38-044-5017117

URUGUAY

Pro3implant S.R.L.
Phone: +598-2-4034163
Fax: +598-2-4034163