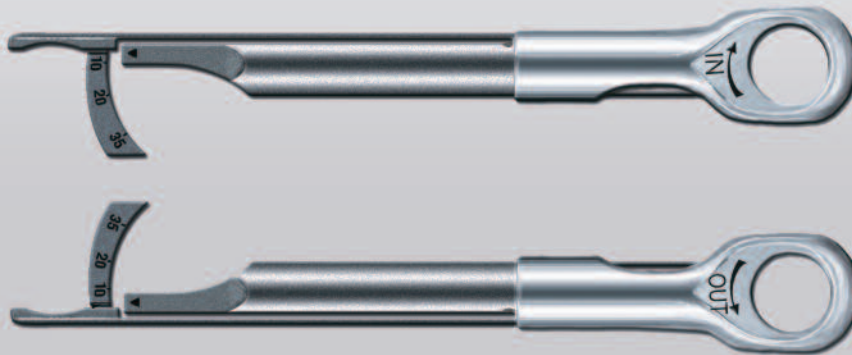


***The Low Torque Indicating Ratchet Wrench (L-TIRW)***

***Sleek and Easy to Use***

## ***Multifunctional Design And Exceptional Quality***

The Low Torque Indicating Ratchet Wrench (L-TIRW), with its design and quality, is an outstanding tool for working with dental implant restorations. Consisting of only two parts, this innovative design provides more functions than most other torque wrenches on the market.



### **Multi-Directional Function**

The L-TIRW can deliver and indicate torque when used in forward or reverse directions.



### **Easy To Separate And Assemble**

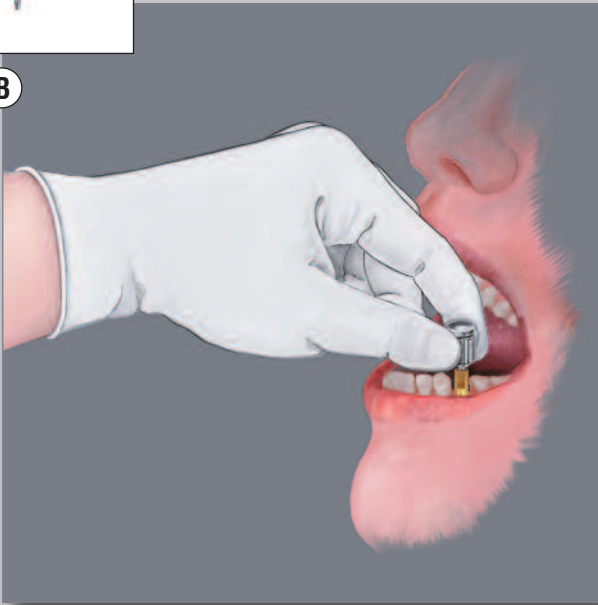
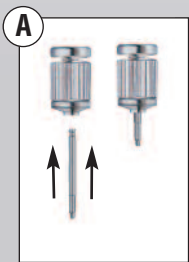
Consisting of only two parts, the L-TIRW is easy to prepare for sterilization.

## Multifunctional

The L-TIRW doubles as a manual driver to insert components and as a torque indicator to provide a visual assessment of torque.

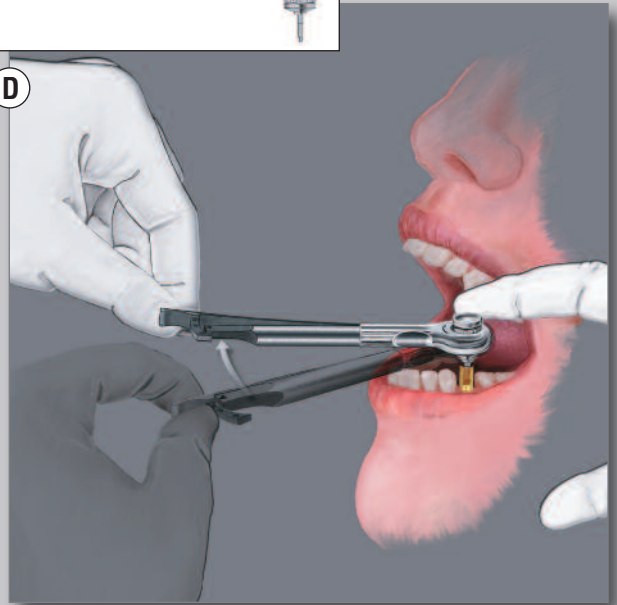
### Manual Driver

- A** Insert an ISO-latch tip into the adapter.
- B** Rotate the adapter clockwise to insert the screw.



### Torque Indicator

- C** Mount the L-TIRW onto the adapter.
- D** Once assembled, push the torque arm clockwise to turn the wrench and apply torque to the screw.



## Ordering Information

L-TIRW	Low Torque Indicating Ratchet Wrench Includes: L-TIRW Standard ISO 1797 Adapter (C9980)
L-TIRWK	L-TIRW Kit Includes: Low Torque Indicating Ratchet Wrench (L-TIRW), L-TIRW Standard ISO 1797 Adapter (C9980), Torque Indicating Ratchet Wrench Tray (RTI2035TR), Narrow Right Angle Large Hexed Driver Tip 24MM (RASH3N), Narrow Right Angle Square Driver Tip 24MM (RASQ3N)
RTI2035TR	Torque Indicating Ratchet Wrench Tray
C9980	L-TIRW Standard ISO 1797 Adapter
C9981	L-TIRW Short ISO 1797 Adapter

*For More Information On The L-TIRW, Please Contact Your Local Sales Representative*

**BIOMET 3i™**

Global Headquarters  
4555 Riverside Drive  
Palm Beach Gardens, FL 33410  
1-800-342-5454  
Outside The U.S.: +1-561-776-6700  
Fax: +1-561-776-1272  
www.biomet3i.com

*To Receive Information About BIOMET 3i's Products, Services And Events By Email, Visit Our Website At [www.biomet3i.com](http://www.biomet3i.com)*



ART1108

REV A 11/09

BIOMET is a registered trademark and BIOMET 3i and design are trademarks of BIOMET, Inc.  
©2009 BIOMET 3i LLC. All rights reserved.

### SUBSIDIARIES

**AUSTRALIA**  
Phone: +61-2-9855-4444  
Fax: +61-2-9888-9900

**AUSTRIA**  
Phone: +43-(0)6235-200-45  
Fax: +43-(0)6235-200-45-9

**BELGIUM**  
Phone: +32-2-5410290  
Fax: +32-2-5410291

**BRAZIL**  
Phone: +55-11-5081-4405  
Fax: +55-11-5081-7484

**CANADA**  
Phone: +514-956-9843  
Fax: +514-956-9844

**FRANCE**  
Phone: +33-1-41054343  
Fax: +33-1-41054340

**GERMANY**  
Phone: +49-721-255177-10  
Fax: +49-721-255177-73

**IRELAND**  
Phone: +353-1-800-552-752  
Fax: +44-1628-820182

**JAPAN**  
Phone: +81-66868-3012  
Fax: +81-66868-2444

**KOREA**  
Phone: +82-2-5678-550  
Fax: +82-2-5678-577

**MEXICO**  
Phone: +52-55-2282-0120  
Fax: +52-55-2282-0120 ext. 20

**THE NETHERLANDS**  
Phone: +31-(0)78-629-2800  
Fax: +31-(0)78-629-2801

**NEW ZEALAND**  
Phone: +64-508-122-221  
Fax: +64-508-139-331

**NORDIC REGION**  
Phone: +46-40-17-6090  
Fax: +46-40-17-6099

**PORTUGAL**  
Phone: +351-21-000-1647  
Fax: +351-21-000-1675

**SPAIN**  
Phone: +34-93-470-59-50  
Fax: +34-93-372-11-25

**SWITZERLAND**  
Phone: +41-(0)44-200-76-00  
Fax: +41-(0)44-200-76-01

**U.K.**  
Phone: +44-800-652-1233  
Fax: +44-1628-820182

### DISTRIBUTORS

**ARGENTINA**  
Dentalmax, SA  
Phone: +541-482-71001  
Fax: +541-482-67373

**CHILE**  
Cybel, SA  
Phone: +56-2-2321883  
Fax: +56-2-2330176

**CHINA**  
Atek Inc.  
Phone: +86-21-6329-1265  
Fax: +86-21-6329-1620

**COLOMBIA**  
3i Colombia  
Phone: +571-612-9362  
Fax: +571-620-6412

**COSTA RICA**  
Implantec S.A.  
Phone: +506-234-9043  
Fax: +506-224-7620

**EL SALVADOR**  
Dentimerc SA de CV  
Phone: +503-263-6350  
Fax: +503-263-6676

**GREECE**  
Impladent Dental Implants, LLC  
Phone: +30-2310-501-651  
Fax: +30-2310-862-090

**ISRAEL**  
H.A. Systems  
Phone: +972-3-6138777  
Fax: +972-3-6138778

**HONG KONG**  
Ositek Inc., Ltd.  
Phone: +852-9121-6601  
Fax: +852-3747-3754

**ITALY**  
Biomax, srl  
Phone: +39-0444-913410  
Fax: +39-0444-913695

**MIDDLE EAST**  
3i MENA s.a.l.  
Middle East And North Africa  
Phone: +961-1-694000  
Fax: +961-1-694222

**PARAGUAY**  
Andres H. Arce y Cia SRL  
Phone: +595-21-208185  
Fax: +595-21-496291

**POLAND**  
Dental Depot  
Phone: +48-711-341-3091  
Fax: +48-711-343-6560

**RUSSIA**  
Com-Dental  
Phone: +7-495-580-3080  
Fax: +7-495-580-3081

**SINGAPORE**  
Asia Implant Support & Services  
Phone: +65-6223-2229  
Fax: +65-6220-3538

**SOUTH AFRICA**  
Selective Surgical CC  
Phone: +27-11-991-7007  
Fax: +27-11-672-1391

**TAIWAN**  
Kuo Hwa Dental Suppliers Co., Ltd.  
Phone: +886-2-2226-1770  
Fax: +886-2-2226-8747

**THAILAND**  
3i (Thailand) Co., LTD.  
Phone: +662-252-6685  
Fax: +662-252-6686

**TURKEY**  
Tamer Med. A.S.-Turkey  
Phone: +90-212-465-3352  
Fax: +90-212-465-3502

**UKRAINE**  
Com-Dental  
Phone: +38-067-7007667  
Fax: +38-044-5017117

**URUGUAY**  
Pro3implant S.R.L.  
Phone: +598-2-4034163  
Fax: +598-2-4034163

**VIETNAM**  
D.O.E.  
(Dentistry Of Excellence Vietnam)  
Phone: +84 89 25 37 03  
Fax: +84 89 25 37 00