

**Need More
Space?
Keep A Low
Profile**



**Comprehensive
Treatment**

**Enhanced
Knowledge**

**Business
Excellence**



Introducing The **NEW** Low Profile Abutment

The Solution Designed To Provide Clinicians With More Space:

- For Screw-Retained Restorations In Areas Of Limited Interarch Distance
- A Wide Array Of Versatile Restorative Options
- For Immediate Or Traditional Loading Procedures



Providing **Clinicians** One Solution At A Time With Low Profile Abutments

- One Restorative Platform For Ease Of Use
- Contoured Emergence Profile Provides Easier Placement In Subcrestal And Flapless Surgery
- Low Restorative Height For Functional Aesthetic Restorations In Limited Interarch Space

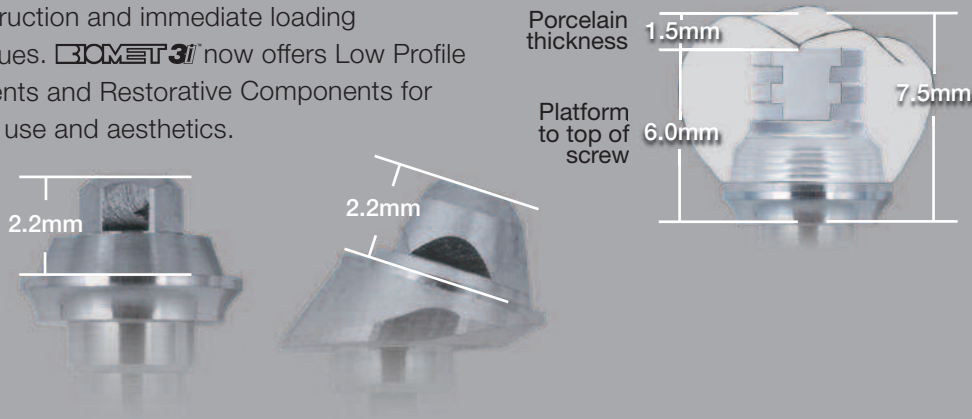
BIOMET 3i™
PROVIDING SOLUTIONS - ONE PATIENT AT A TIME™

Height Matters

The Low Profile Abutment for outstanding screw-retained restorations.

Screw-retained restorations have a long history of documentation in implant dentistry. These abutments provide clearer access to, and retrievability of, single and multiple-unit implant restorations. In addition, certain patient situations may require the benefits of screw-retained restorations such as full mouth reconstruction and immediate loading techniques. **BIOMET 3i** now offers Low Profile Abutments and Restorative Components for ease of use and aesthetics.

At 2.2mm tall, the Low Profile Abutment has one of the lowest restorative profiles on the market today. **This allows for functional aesthetic restorations in limited interarch spaces of 7.5mm, even when angle correction is necessary.**



Easy Placement

Ease of use with contoured emergence profiles.

The Low Profile Abutment's new contoured emergence profile provides easier placement in subcrestal and flapless surgery. The emergence starts off straight, then gently curves out to the restorative platform. This emergence mitigates the need for bone profiling prior to seating the abutments.

Because the Low Profile Abutment has one restorative platform, there is no need to inventory multiple sizes of restorative components. **Whether you are restoring a 3.4mm or a 5.0mm platform implant, the restorative components have the same seating diameter of 4.8mm.**



Contoured Emergence Profile

One Restorative Platform

Easy Delivery

Both one and two piece designs for the Low Profile Abutment have a disposable delivery tool for ease of use and sterile placement from the package to the patient.



Multiple Restorative Options

The Low Profile Abutment offers a wide array of versatile restorative options. There are a variety of provisional options for long term healing or immediate loading procedures including BIOMET 3i's QuickBridge® Provisional Components, Titanium Cylinders with gold-colored TiN coating and

PreFormance® (PEEK) Temporary Cylinders. Options for the definitive restoration range from castable Gold Cylinders to CAM StructSURE® Precision Milled Bars. All of these options are designed to provide restorative strength and aesthetic results.



CAM StructSURE Precision Milled Bars And Frameworks



Low Profile QuickBridge Provisional Components



Low Profile PreFormance And Titanium Temporary Cylinders

With its low height, contoured emergence profile and multiple restorative options, the new BIOMET 3i Low Profile Abutment and Restorative Component Product Offering may be the best compliment to screw-retained restorations to date.

Ordering Information†

Low Profile Abutments



3.4mm Seating Surface

Collar Height	One Piece	Two Piece	17°	30°
1.0mm	ILPC341U LPC341U	ILPC341 LPC341	-	-
2.0mm	ILPC342U LPC342U	ILPC342 LPC342	ILPAC3217 LPAC3217	-
3.0mm	ILPC343U LPC343U	ILPC343 LPC343	-	ILPAC3330 LPAC3330
4.0mm	ILPC344U LPC344U	ILPC344 LPC344	ILPAC3417 LPAC3417	-
5.0mm	-	-	-	ILPAC3530 LPAC3530

4.1mm Seating Surface

Collar Height	One Piece	Two Piece	17°	30°
1.0mm	ILPC441U LPC441U	ILPC441 LPC441	-	-
2.0mm	ILPC442U LPC442U	ILPC442 LPC442	ILPAC4217 LPAC4217	-
3.0mm	ILPC443U LPC443U	ILPC443 LPC443	-	ILPAC4330 LPAC4330
4.0mm	ILPC444U LPC444U	ILPC444 LPC444	ILPAC4417 LPAC4417	-
5.0mm	-	-	-	ILPAC4530 LPAC4530

5.0mm Seating Surface

Collar Height	One Piece	Two Piece	17°	30°
1.0mm	ILPC541U LPC541U	ILPC541 LPC541	-	-
2.0mm	ILPC542U LPC542U	ILPC542 LPC542	ILPAC5217 LPAC5217	-
3.0mm	ILPC543U LPC543U	ILPC543 LPC543	-	ILPAC5330 LPAC5330
4.0mm	ILPC544U LPC544U	ILPC544 LPC544	ILPAC5417 LPAC5417	-
5.0mm	-	-	-	ILPAC5530 LPAC5530

Low Profile Impression Copings And Analog

Description	Item No.
Pick Up Impression Coping (Hexed)	LPCPIC1
Pick Up Impression Coping (Non-hexed)	LPCPIC2
Twist Lock™ Impression Coping (Hexed)	LPCTIC1
Twist Lock Impression Coping (Non-hexed)	LPCTIC2
QuickBridge® Impression Coping	LPQRIC
Lab Analog	LPCLA

Low Profile Provisional Restoration Components

Description	Item No.
Temporary Cylinder (Hexed)	LPCTC1
Temporary Cylinder (Non-hexed)	LPCTC2
Healing Cap	LPCHC
PreFormance® Temporary Cylinder (Hexed)	LPCPTC1
PreFormance Temporary Cylinder (Non-hexed)	LPCPTC2
QuickBridge	LPCQB
QuickBridge Replacement Cap	LPCQBCAP
Distal Extension	LPCDE

Low Profile Final Restoration Components

Description	Item No.
Gold Cylinder (Hexed)	LPCGC1
Gold Cylinder (Non-hexed)	LPCGC2
Castable Cylinder (Hexed)	LPCC1
Castable Cylinder (Non-hexed)	LPCC2
Laser Weld Cylinder	LPCTUCA

Low Profile Screws



Description	Item No.
Gold-Tite® Retaining Screw	LPCGSH
Titanium Retaining Screw	LPCTSH
Waxing Screw	LPCWS

Low Profile Laboratory Tools



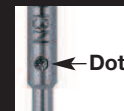
Description	Item No.
Lapping Tool	LPCAMI
Polishing Protector	LPCPP

Large Hex Driver And Driver Tip



Description	Item No.
Large Hexed Driver	PHD02N, PHD03N*
Large Hexed Driver Tip	RASH3N, RASH8N*

*Now narrower to fit with external hexed angled Low Profile Abutments. The new driver and driver tips can be identified by a laser marked dot after the catalog number as pictured below.



BIOMET 3i
4555 Riverside Drive
Palm Beach Gardens, FL 33410
1-800-342-5454
Outside The U.S.: +1-561-776-6700
Fax: +1-561-776-1272
www.biomet3i.com

† Not available in all markets. Please contact your local BIOMET 3i Sales Representative for availability.

To Receive Information About **BIOMET 3i**'s Products, Services And Events By Email, Please Visit Our Website At www.biomet3i.com

SUBSIDIARIES

AUSTRALIA

Phone: +61-2-9855-4444
Fax: +61-2-9888-9900

AUSTRIA

Phone: +43-(0)6235-200-45
Fax: +43-(0)6235-200-45-9

BELGIUM

Phone: +32-2-5410290
Fax: +32-2-5410291

BRAZIL

Phone: +55-11-5081-4405
Fax: +55-11-5081-7484

CANADA

Phone: +514-956-9843
Fax: +514-956-9844

FRANCE

Phone: +33-1-41054343
Fax: +33-1-41054340

GERMANY

Phone: +49-721-255177-10
Fax: +49-721-255177-73

IRELAND

Phone: +353-1-800-552-752
Fax: +44-1628-820182

JAPAN

Phone: +81-66868-3012
Fax: +81-66868-2444

KOREA

Phone: +82-2-5678-550
Fax: +82-2-5678-577

MEXICO

Phone: +52-55-2282-0120
Fax: +52-55-2282-0120 ext. 20

THE NETHERLANDS

Phone: +31-(0)78-629-2800
Fax: +31-(0)78-629-2801

NEW ZEALAND

Phone: +64-508-122-221
Fax: +64-508-133-331

NORDIC REGION

Phone: +46-40-17-6090
Fax: +46-40-17-6099

PORTUGAL

Phone: +34-902-34-34-31
Fax:

+34-93-445-81-36+351-21-000-16-75

SPAIN

Phone: +34-902-34-34-31
Fax: +34-93-445-81-36

SWITZERLAND

Phone: +41-(0)44-200-76-00
Fax: +41-(0)44-200-76-01

U.K.

Phone: +44-800-652-1233
Fax: +44-1628-820182

DISTRIBUTORS

ARGENTINA

Dentalmax, SA
Phone: +541-1482-71001
Fax: +541-1482-67373

CHILE

Cybel, SA
Phone: +56-2-2321883
Fax: +56-2-2330176

CHINA

Atek Inc.
Phone: +86-21-6329-1265
Fax: +86-21-6329-1620

COLOMBIA

3i Colombia
Phone: +571-612-9362
Fax: +571-620-6412

COSTA RICA

Implantec S.A.
Phone: +506-234-9043
Fax: +506-224-7620

EL SALVADOR

Dentimer SA de CV
Phone: +503-263-6350
Fax: +503-263-6676

GREECE

Impladent Dental Implants, LLC
Phone: +30-2310-501-651
Fax: +30-2310-862-090

ISRAEL

H.A. Systems
Phone: +972-3-6138777
Fax: +972-3-6138778

HONG KONG

Ositek Inc., Ltd.
Phone: +852-8121-6601
Fax: +852-3747-3754

ITALY

Biomax spa
Phone: +39-0444-913410
Fax: +39-0444-913695

SOUTH AFRICA

Selective Aesthetics
Phone: +27-11-991-7068
Fax: +27-11-672-1391

MIDDLE EAST

3i MENA s.a.l.
Middle East And North Africa
Phone: +961-1-694000
Fax: +961-1-694222

PARAGUAY

Andres H. Arce y Cia SRL
Phone: +595-21-208185
Fax: +595-21-496291

POLAND

Dental Depot Wasio
Phone: +48 71 335 70 71
Fax: +48 71 335 70 90

RUSSIA

Com-Dental
Phone: +7-495-580-3080
Fax: +7-495-580-3081

SINGAPORE

Asia Implant Support & Services
Phone: +65-6223-2229
Fax: +65-6220-3538

TAIWAN

Kuo Hwa Dental Suppliers Co., Ltd.
Phone: +886-2-2226-1770
Fax: +886-2-2226-8747

THAILAND

3i (Thailand) Co., LTD.
Phone: +662-252-6685
Fax: +662-252-6686

TURKEY

Tamer Med. A.Ş., Turkey
Phone: +90-212-465-3352
Fax: +90-212-465-3502

UKRAINE

Victoria Premium
Phone: +38-044-331-10-09
Fax: +38-044-331-10-70

URUGUAY

Pro3implant S.R.L.
Phone: +598-2-4034163
Fax: +598-2-4034163

VIETNAM

D.O.E.
(Dentistry Of Excellence Vietnam)
Phone: +84 89 25 37 03
Fax: +84 89 25 37 00

CAM
StructSURE,
Certain, Gold-
Tite,
PreFormance
and QuickBridge
are registered
trademarks and
Providing Solutions – One Patient



REV A 04/10

At A Time and design and Twist Lock are trademarks of BIOMET 3i LLC. BIOMET is a registered trademark and BIOMET 3i and design are trademarks of BIOMET, Inc. ©2010 BIOMET 3i LLC. All rights reserved.